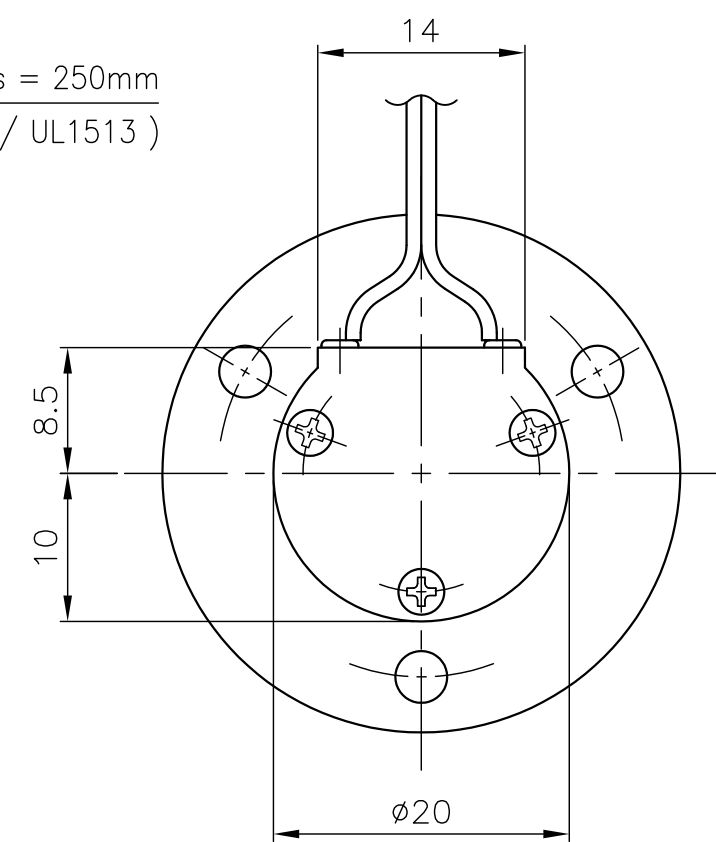
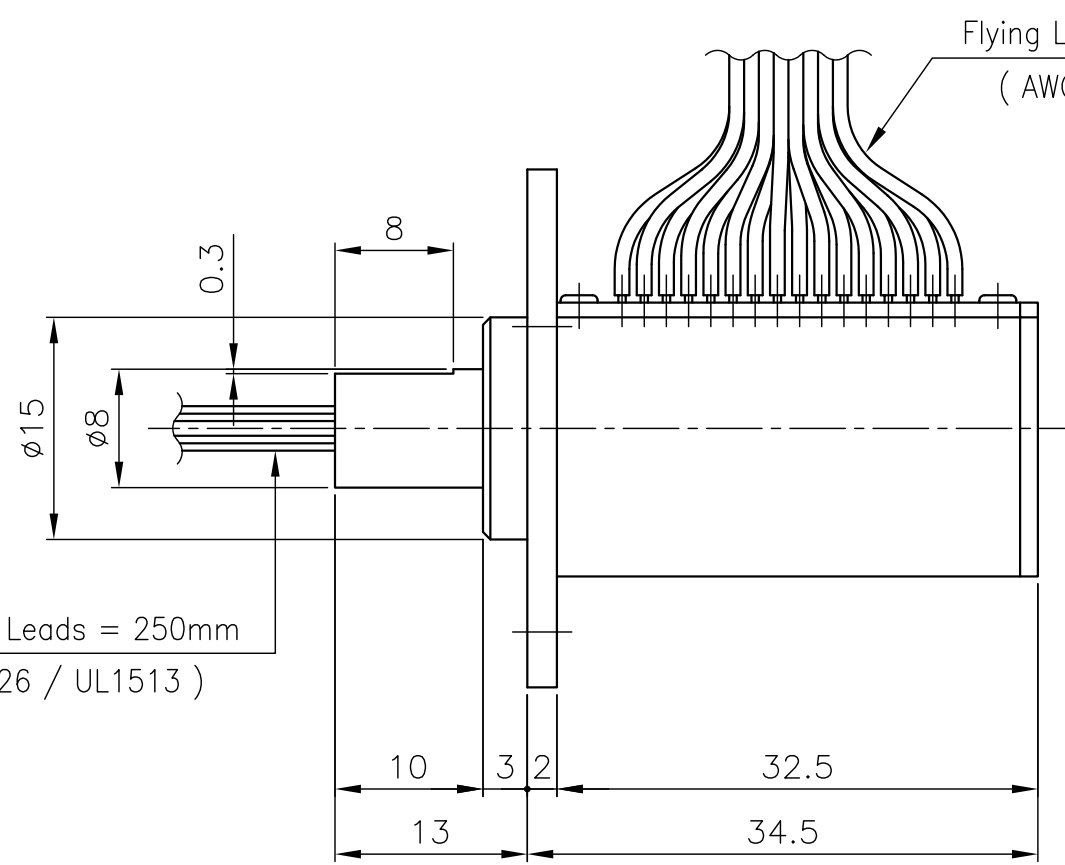
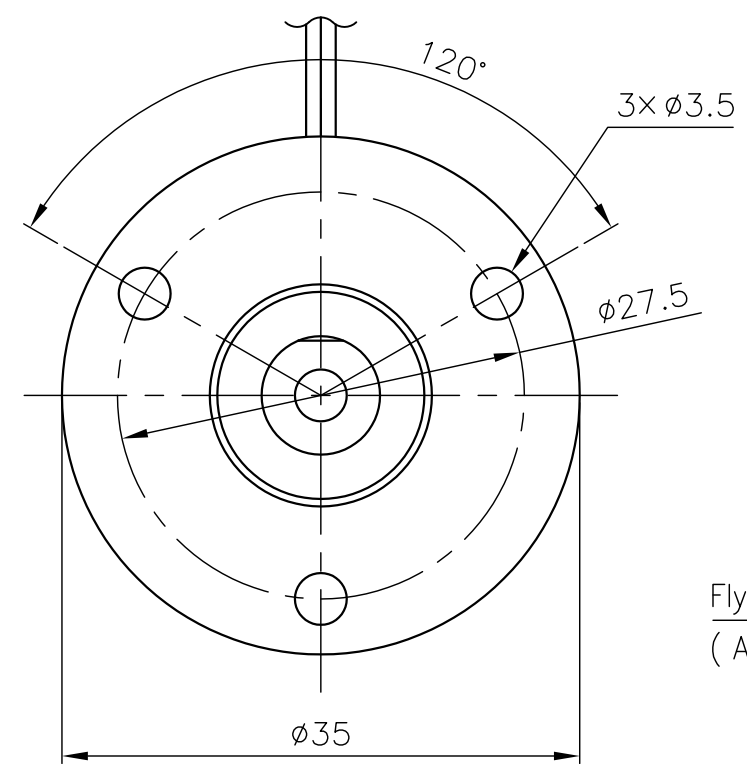
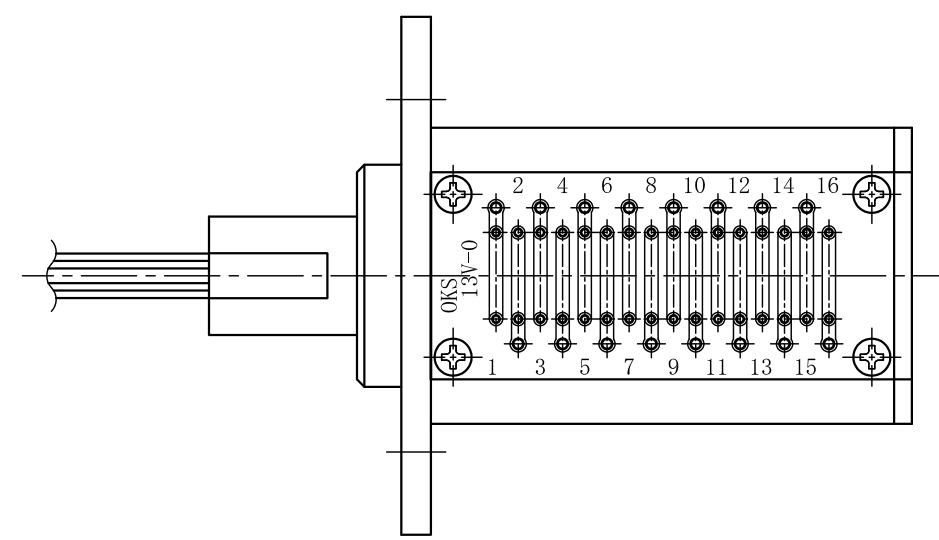




REFERENCE DRAWING

Lead Wire Color			
1 ch	BRN	9 ch	WHT
2 ch	RED	10 ch	BLK
3 ch	ORN	11 ch	LORN
4 ch	YEL	12 ch	DGRN
5 ch	GRN	13 ch	LBRN
6 ch	BLU	14 ch	LRED
7 ch	PUR	15 ch	LBLU
8 ch	GRY	16 ch	LPUR



REV	NOS	DATE	DESCRIPTION	APPROVED	DESIGN				DRAWN		CHECKED	APPROVED	MATERIAL	MODEL
					5. Jun. 2007				12. Oct. 2017					TSR5130
					T. S				A. Ohtaki					ø20 16ch Slip Ring
SEET NO.			NOTE	SCALE		TOKYO TUUSHIN KIZAI CO., LTD.						DRAWING NO.		
1 OF 1				2/1								TSR5130-00-01B		